

MEA® CLEAN

The innovative solution for **green** and efficient treatment of precipitation



- The first multi-level substrate filter system, combined with the efficient MEA®GRP channel.
- Virtual complete binding of heavy metals (>99%), organic substances and solids.
- Outstanding lifetime up to 25 years.
- Optimal design for parking and traffic areas as well as in residential.

MEA®CLEAN

Filter channel

Mode of action

- > mechanical retention
- > adsorption
- > sorption
- > precipitation
- > complexation



MEA®CLEAN

Purification and subsequent storage of organic and inorganic polluted rainwater is gaining in importance. The MEA®CLEAN system is the first trench drain system with a multi-stage substrate technique to bond petroleum-based precipitation runoff and also an organic precipitations (heavy metals). A solution with maximum sustainability compared with minimum cost and low maintenance.



MEA® CLEAN

Advantages for planner and user

- > Innovative multi-layer substrate technology
- > High durability and long service life
- > Low investment, low maintenance costs
- > Load capacity up to Class E 600
- > Easy to combine with downstream drainage facilities

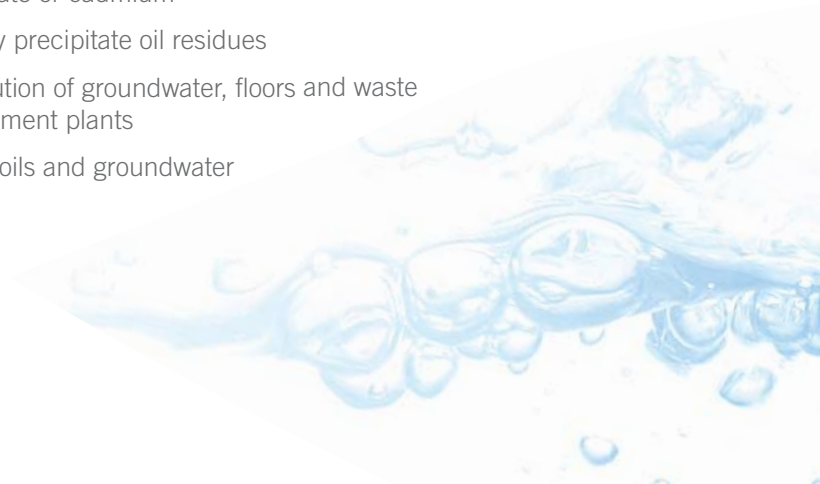


MEA® CLEAN

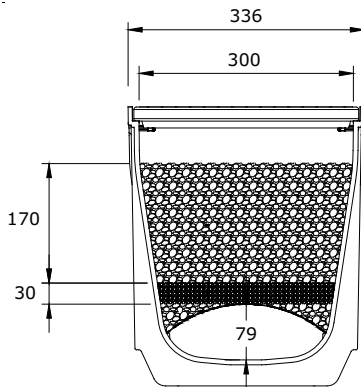
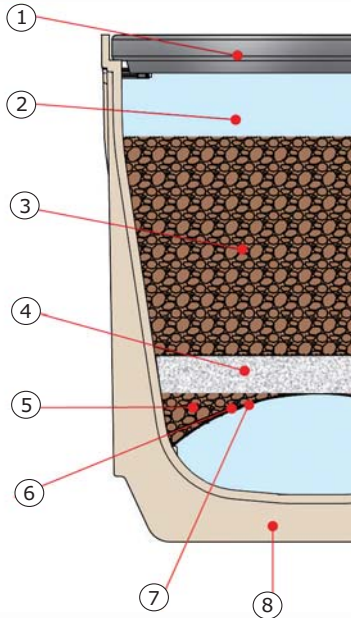
Advantages for the environment

Usage of the MEA® CLEAN filter channels in private and public area e.g. on roads, parking areas, garage accesses, etc. will:

- > Bond heavy metals like lead, zinc, copper, nickel, tin, chromate or cadmium
- > Organically precipitate oil residues
- > Avoid pollution of groundwater, floors and waste water treatment plants
- > Save our soils and groundwater



MEA[®]CLEAN



MEA Water Management GmbH
 Industriestraße 8
 D-86551 Aichach-Ecknach
 Phone: +49 (0) 8251 - 91 0
 Fax: +49 (0) 8251 - 91 13 00
 E-Mail: info.drainage@mea.de
 www.mea-group.com
 www.mea-drainage.com

Filter substrate channel

Components of MEA[®]CLEAN

- 1) Gratings for loading classes up to E 600
- 2) Retention basin for surface water
- 3) First layer of substrate: mineral mixture for the treatment of organically polluted rain water (CHC)
- 4) Second layer of substrate: mineral mixture for the treatment of inorganic rain water (heavy metals)
- 5) Third layer of substrate: mineral mixture as an additional filter stage
- 6) Geotextile for retention of fines
- 7) Arched spacer: ensures a long-lasting clean channel section
- 8) Rigid channel body made of GRP

Specifications MEA[®]CLEAN

Dimensions (w x h x d mm)	336 x 397 x 500/1000
Material channel body	SMC (Sheet Molding Compound) composite of unsaturated polyester resin with mineral fillers, additives and fiber-glass
Gratings	Optional: slotted grating, stainless steel gratings or galvanized gratings, loading classes A 15 till E 600
Material substrate zone Drainage	Tested / certified high performance substrate ENREGIS / Biocalith RCS / K
Connectable area Coverage	25m ² / rm channel**
Infiltration performance substrate*	1 till 3 x 10E-3 m/s Mode of action* mechanical retention / filtration, adsorption, sorption, precipitation and complexation
Life time	> up to 25 years**
Weights / rm channel	Channel body 12 or rather. 13,7 kg (PLUS and EXPERT type), substrate 79 kg, gratings (depending on type) between 9 kg and 28 kg
Loading classes	A 15 to E 600

*Enregis Biocalith RCS/K

** The figures are averages and are based on the precipitation runoff from parking lots. If you have any queries or require further information for detailed planning, please do not hesitate to contact us.